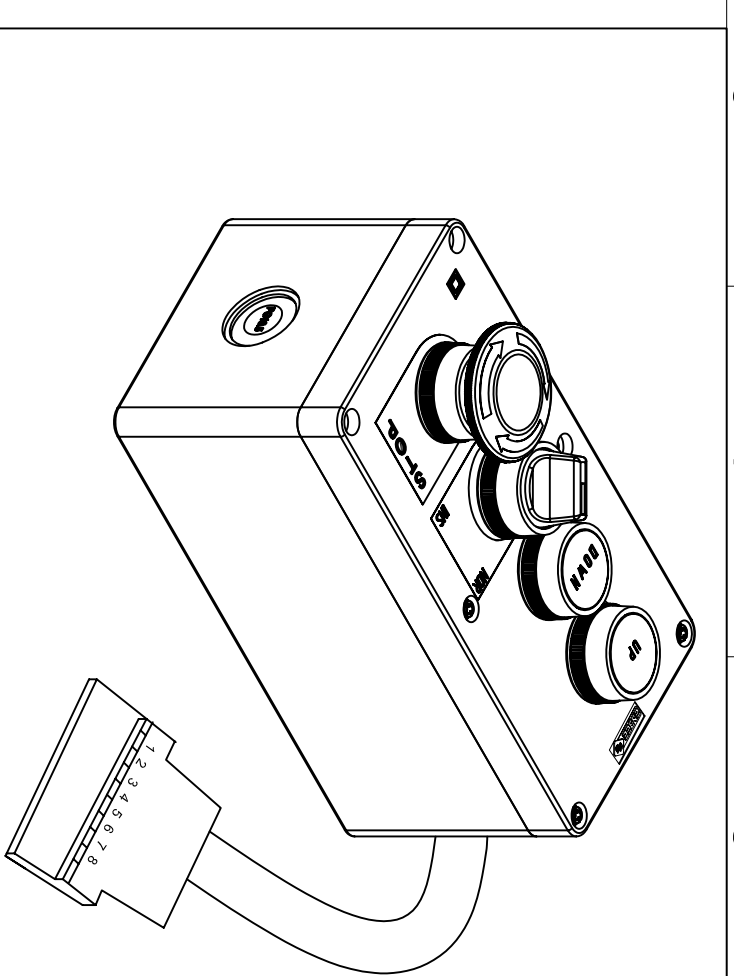


**PRODUCT SPECIFICATIONS:**

01.	Operating Temperature	-30°C to +60°C .
02.	Storage Temperature	-30°C to 70°C .
03.	Degree Of Protection	IP65 AS PER IEC 60529 Standard.
04.	Tightening Torque	0.5 Nm
05.	Cable Entries	PG13.5
06.	Contact Type	Contact Block with CE Approval & TUV Bauart Mark.

**VISUAL INSPECTION:**

Visual inspection shall be carried with the help of approved sample provided.  
 A.Surface should be free from scratches and silver streak.  
 B.Printing should be as per approved sample.  
 (No peel off during Tape Test ) Ink Type : White,  
 Aesthetic – For colour shade,Sharpness,cut,tilt,missing . etc



Sl No	Description	Material	Cat No	Colour	Finish	Qty
01	BOTTOM COVER 4 STATION	ABS	HF192011	BLACK	GLOSSY	01
02	TOP COVER 4 STATION	ABS	HF195012	YELLOW	GLOSSY	01
03	MUSHROOM HEAD PUSH TURN NC CONTACT BLOCK STOP METAL PLATE	-----	HH55C1 HG61B2	RED	-----	01 02
04	SYMMETRICAL HEAD 2P NC CONTACT BLOCK NO CONTACT BLOCK NOR INS METAL PLATE	-----	HH242062 HR65C3 HG61B2 HG61A2	BLACK	BLACK	01 02 02 01
05	FLUSH HEAD WITH BLUE CAP DOWN PRINTING NC CONTACT BLOCK NO CONTACT BLOCK	-----	HD15C6D HG61B2 HG61A2	BLUE	GREEN	01 02 01
06	FLUSH HEAD WITH YELLOW CAP UP PRINTING NC CONTACT BLOCK NO CONTACT BLOCK	-----	HD15C4U HG61B2 HG61A2	YELLOW	YELLOW	01 01 02
07	MOUNTING BRACKET	-----	HF2000002	-----	-----	02
08	GLAND PG 13.5	-----	HF600011	NATURAL	-----	01
09	8 CORE PVC CABLE, 1MM SQ	PVC	LR59B023	BLACK	-----	02M
10	WAGO MCS CONNECTOR Connector wago 231-608/018/034	-----	LR69B006	GRAY	-----	01

GEN. TOL. ±0.5  
 ALL DIMENSIONS ARE IN mm.

No.	REVISIONS	DATE	BY	APPROVED	MATERIAL: ---	FINISH: ---	COLOUR: ---	SCALE: NTS	S.NO: 1 OF 1	TITLE: PRODUCT DRAWING DRG.NO.: EJ4C3AN027
DGN	AAN	27.07.12	CHD	AAN						PRODUCT: 4 STATION WITH WAGO CONNECTOR
DRN	AAN	27.07.12	APD	AAN						

ESBEE INDUSTRIAL COMBINES  
 PLOT NO. J-159,  
 MID.C. BHOSARI,  
 PUNE 411 026.

"This is sole property of ESBEE INDUSTRIAL COMBINES and should not be transferred to or shared with anyone without our prior written consent"