

PRODUCT SPECIFICATIONS:

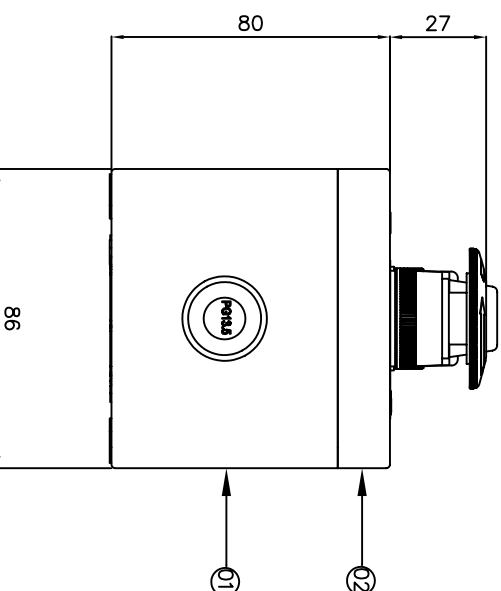
01.	Operating Temperature	-30°C to +60°C .
02.	Storage Temperature	-30°C to 70°C .
03.	Degree Of Protection	IP65 AS PER IEC 60529 Standard.
04.	Tightening Torque	0.5 Nm
05.	Cable Entries	PG13.5
06.	Contact Type	Contact Block with CE Approval & TUV Bauart Mark.

VISUAL INSPECTION:

Visual inspection shall be carried with the help of approved sample provided.
 A.Surface should be free from scratches and silver streak.
 B.Printing should be as per approved sample.
 (No peel off during Tape Test) Ink Type : White,
 Aesthetic – For colour shade,Sharpness,cut,tilt,missing . etc

Sr No	Description	Material	Cat No	Colour	Finish	Qty
01	BOTTOM COVER 4 STATION	ABS	HF192011	BLACK	GLOSSY	01
02	TOP COVER 4 STATION	ABS	HF195012	YELLOW	GLOSSY	01
03	MUSHROOM HEAD PUSH TURN NC CONTACT BLOCK STOP METAL PLATE	----	HH55C1 HC61B2 HH242062	RED BLACK		01 02 01
04	SYMMETRICAL HEAD 2P NC CONTACT BLOCK NO CONTACT BLOCK NOR INS METAL PLATE	----	HR65C3 HC61B2 HC61A2 HH2420124	BLACK BLACK GREEN BLACK		01 02 01 01
05	FLUSH HEAD WITH BLUE CAP DOWN PRINTING NC CONTACT BLOCK NO CONTACT BLOCK	----	HD15C6D HC61B2 HC61A2	BLUE GREEN GREEN		01 01 02
06	FLUSH HEAD WITH YELLOW CAP UP PRINTING NC CONTACT BLOCK NO CONTACT BLOCK	----	HD15C4U HC61B2 HC61A2	YELLOW GREEN GREEN		01 01 02
07	MOUNTING BRACKET	----	HF2000002	-----		02
08	GLAND PG 13.5	----	HF600011	NATURAL		01
09	8 CORE PVC CABLE, 1MM SQ	PVC	LR59B023	BLACK		02M

GEN. TOL. ±0.5
 ALL DIMENSIONS ARE IN mm.



"This is sole property of ESBE INDUSTRIAL COMBINES and should not be transferred to or shared with anyone without our prior written consent"

No.	REVISIONS	DATE	MATERIAL: ----
DGN	AAN	27.07.12	FINISH: ----
DRN	AAN	27.07.12	COLOUR: ----
			SCALE: NTS
			S.NO: 1 OF 1
			TITLE:PRODUCT DRAWING DRG.NO.: EJ4C3AN028
			PRODUCT:4 STATION WITH OUT WAGO CONNECTOR

ESBEE INDUSTRIAL COMBINES
 PLOT NO. J-159,
 MID.C. BHOSARI,
 PUNE 411 026.